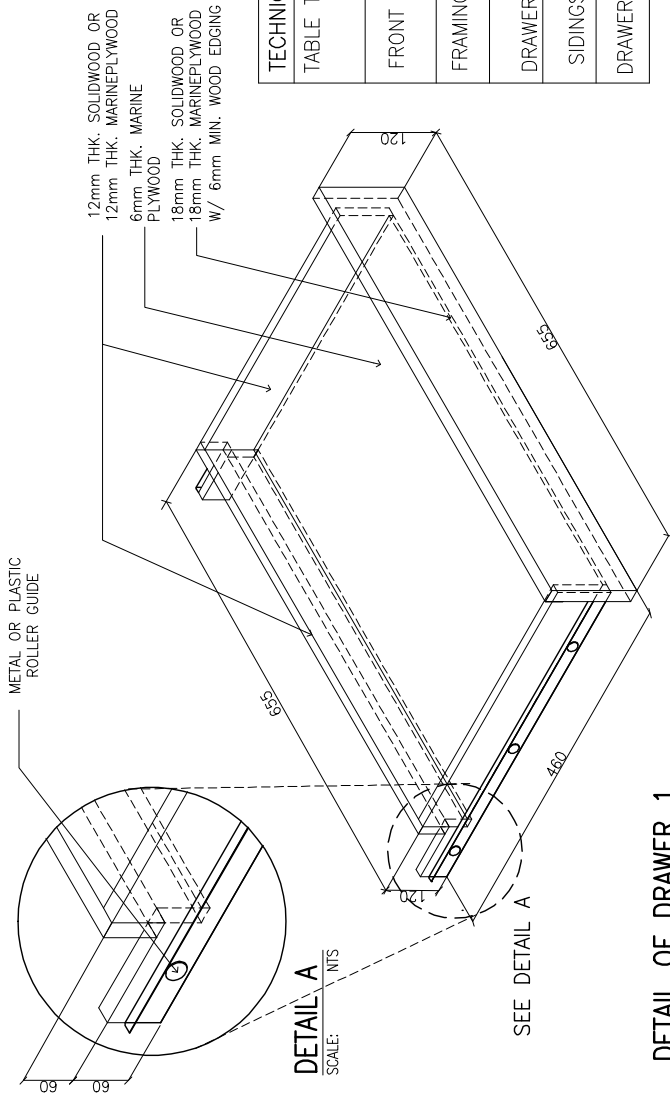


DIMENSIONS OF TEACHER'S TABLE
IN MILLIMETER

LEVEL	DIMENSIONS	REMARKS
A	TABLE HEIGHT	750
B	TABLE LENGTH	1200
C	TABLE WIDTH	600
D	SIDINGS/ BACKING HT.	300

TECHNICAL SPECIFICATIONS	REMARKS
TABLE TOP 19mm THK MARINE PLYWOOD W/ SOLID 20mm MIN. WOOD EDGING	ALL THICKNESS OF WOOD EXCEPT FOR MARINE PLYWOOD SHALL BE SUBJECTED TO A TOLERANCE OF MINUS 2mm.
FRONT / BACK LEGS 45mm X 45mm, SOLID WOOD	
FRAMING/ NAILER 20mm X 45mm, SOLID WOOD	
DRAWER FACE 18mm THK. SOLIDWOOD or 18mm THK. MARINE PLYWOOD w/ 6mm WOOD EDGING.	
SIDINGS 6mm THK. MARINE PLYWOOD	
DRAWER ROLLER GUIDE METAL OR PLASTIC	

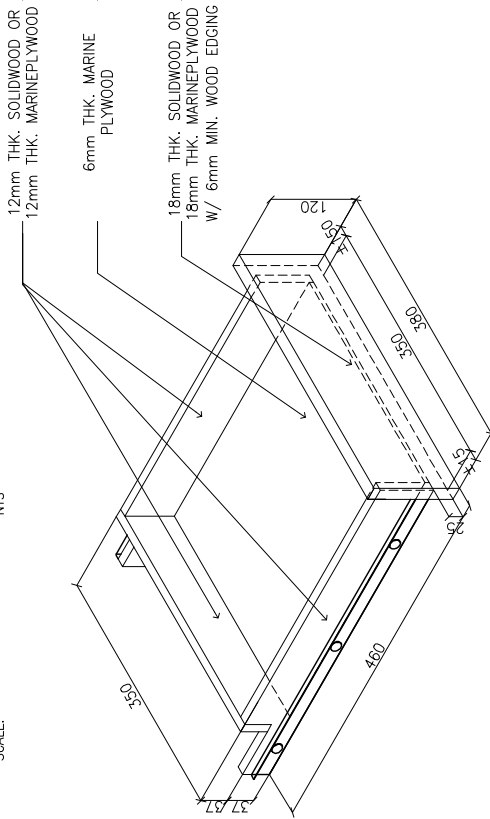
NOTE: ALL SOLIDWOOD MUST BE TREATED KILN DRIED
OR SUNDRIED. (TANGUILE, GEMELINA, RED LUAN)
FINISH: SMOOTH FINISH WITH AT LEAST
THREE(3) COATS OF VARNISH, COLOR SUBJECT
TO APPROVAL OF THE PROCURING ENTITY.



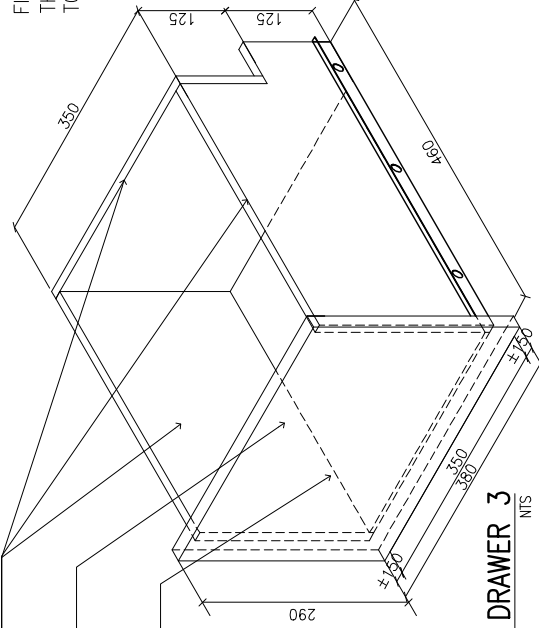
DETAIL A
SCALE: NTS

SEE DETAIL A

DETAIL OF DRAWER 1
SCALE: NTS



DETAIL OF DRAWER 2
SCALE: NTS



DETAIL OF DRAWER 3
SCALE: NTS

PROJECT TITLE :

REPUBLIC OF THE PHILIPPINES



DESIGN OF CLASSROOM
TEACHER'S TABLE
CY 2010 (ALL WOOD)

SHEET NO.

2

2

PREPARED ON : 07-15-2010