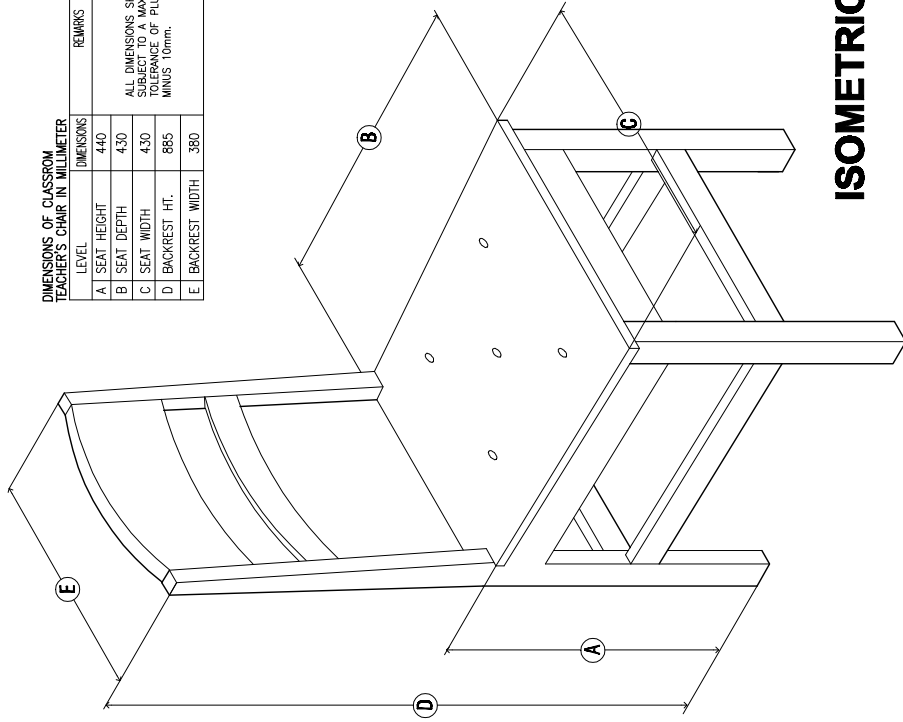


TECHNICAL SPECIFICATIONS	REMARKS
SEAT BOARD	19mm(MIN.) THK. MARINE PLYWOOD WITH EDGING 6mm (MIN.) OR 20mm THK. SOLID WOOD PROVIDE 5-10mm $\phi$ VENTILATION SEAT HOLE
FRONT LEG	50mmx50mm, SOLID WOOD
BACK LEG	50mmx50mm, SOLID WOOD
BACK REST	1-19mmx100mm, SOLID WOOD 1-25mmx50mm, SOLID WOOD
LEG SUPPORT	4-25x50mm TENON-JOINTED SOLID WOOD LEG SUPPORT
SEAT SUPPORT	4-25mmx76mm TENON-JOINTED SOLID WOOD SEAT SUPPORT
FINISHES	WOOD - SMOOTH FINISH WITH AT LEAST 3 COATS VARNISH, MAPLE FINISH

NOTE:  
ALL SOLID WOOD MUST BE TREATED KILN DRIED OR SUNDRIED (TANGJILE, GEMELINA, RED LAUAN)

DIMENSIONS OF CLASSROOM TEACHER'S CHAIR IN MILLIMETER		
LEVEL	DIMENSIONS	REMARKS
A	SEAT HEIGHT	440
B	SEAT DEPTH	430
C	SEAT WIDTH	430
D	BACKREST HT.	865
E	BACKREST WIDTH	380

ALL DIMENSIONS SHALL BE SUBJECT TO A TOLERANCE OF PLUS OR MINUS 10mm.



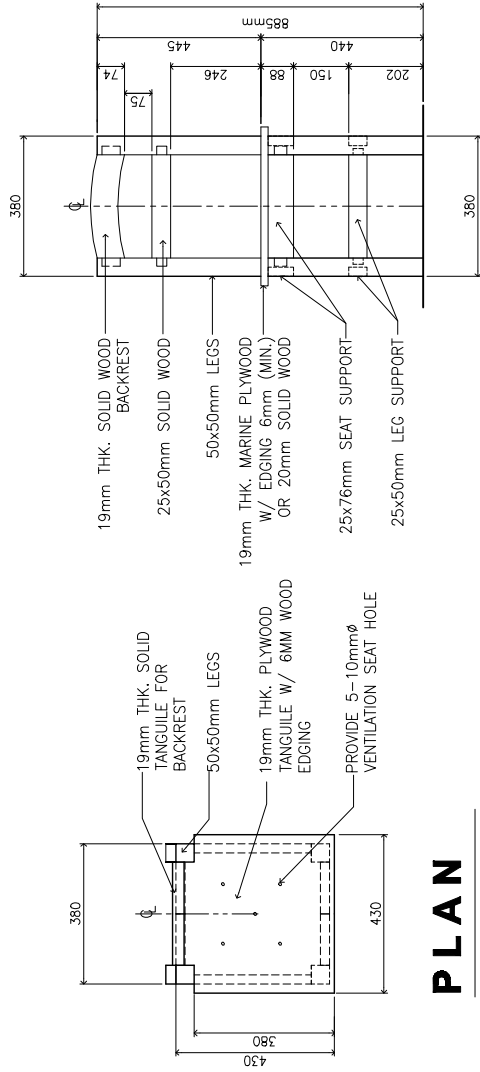
## ISOMETRIC

PROJECT TITLE :

REPUBLIC OF THE PHILIPPINES

SHEET NO.:

1  
1

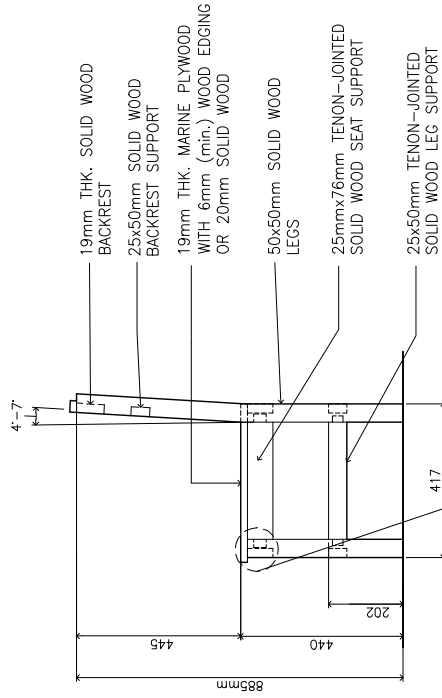


## PLAN

SCALE: 1:15M

## FRONT ELEVATION

SCALE: 1:15M



## LEFT SIDE ELEVATION

SCALE: 1:15M

## SECTION

SCALE: 1:15M