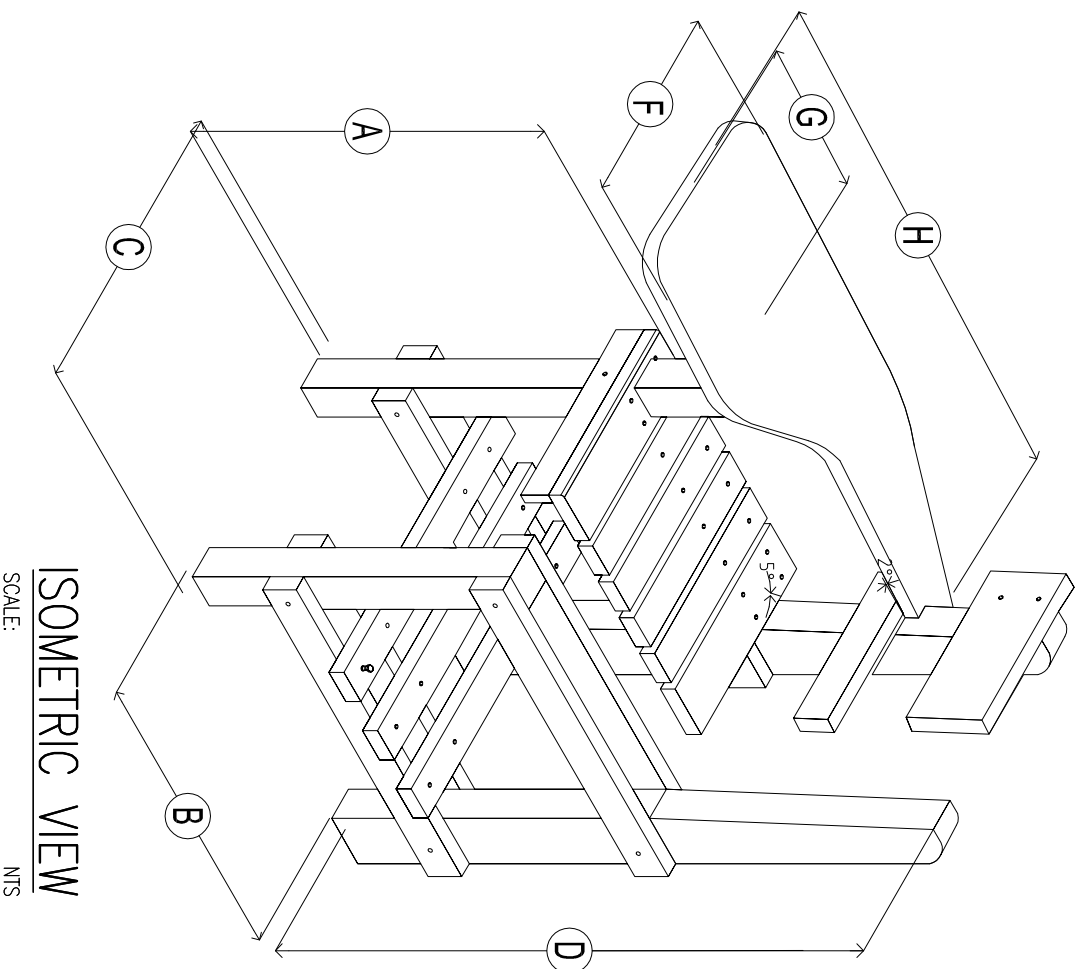


DIMENSIONS OF GRADE SECONDARY  
TABLET ARMCHAIR IN MILLIMETER

LEVEL	DIMENSIONS	REMARKS
A SEAT HEIGHT	400	ALL DIMENSIONS SHALL BE SUBJECT TO A MAXIMUM TOLERANCE OF PLUS OR MINUS 2mm EXCEPT ON THE WIDTH OF THE WRITING BOARD WHICH SHOULD NOT BE SMALLER THAN THE REQUIRED WIDTH OF 250mm.
B SEAT DEPTH	400	
C SEAT WIDTH	430	
D BACKREST HT.	800	
E WRITING BOARD HT.	640	
F WRITING BOARD WIDTH	250	
G WRITING BOARD DEPTH	255	
H WRITING BOARD LENGTH	625	

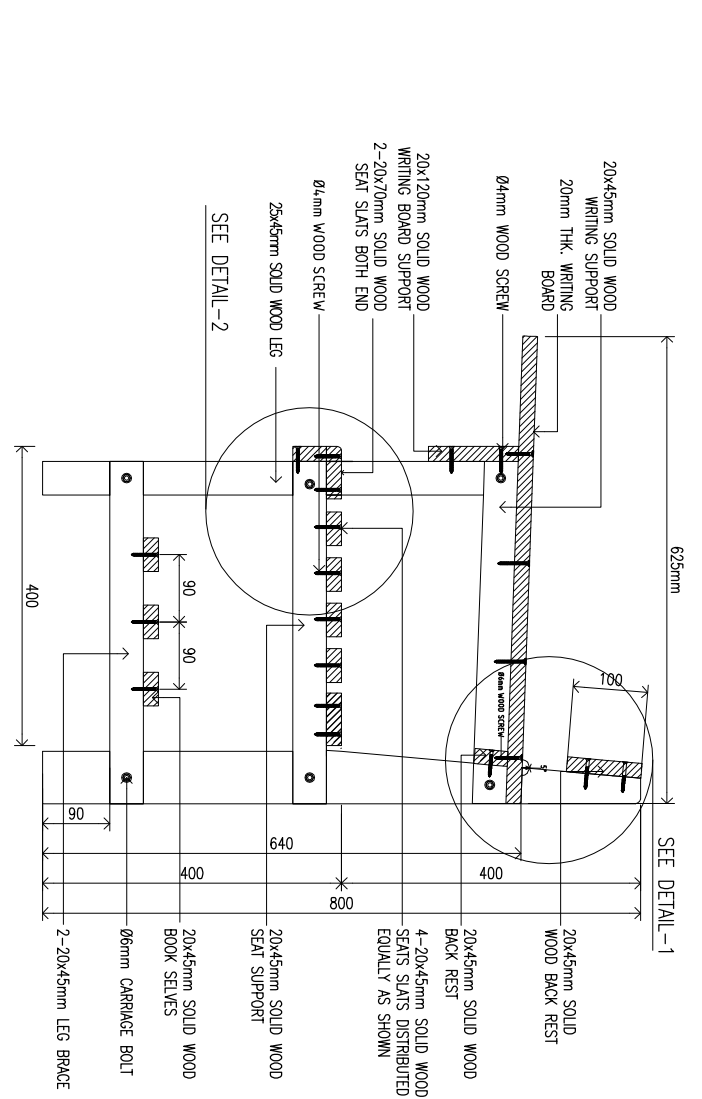
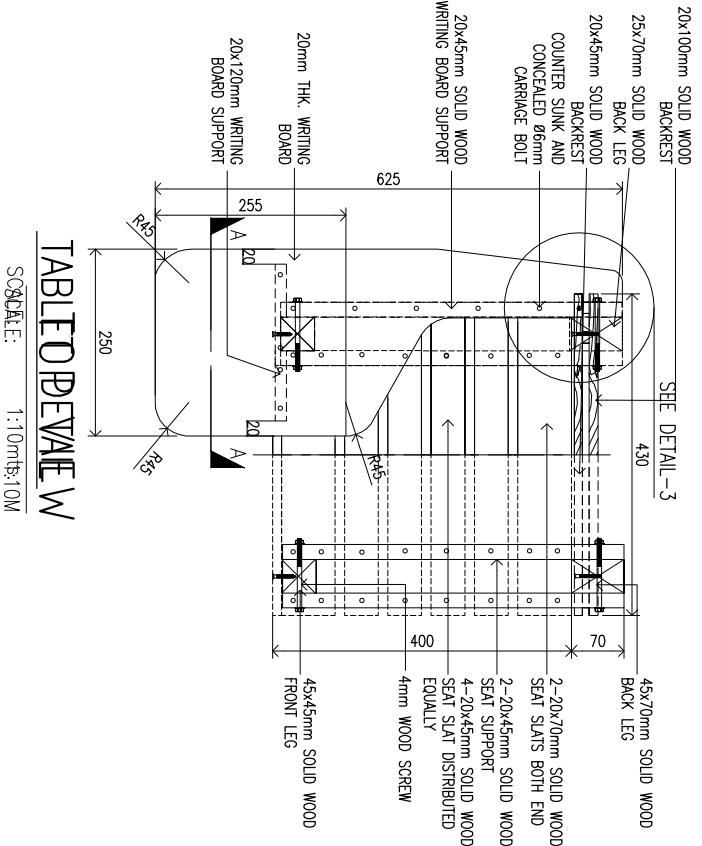


ISOMETRIC VIEW  
SCALE: NTS

TECHNICAL SPECIFICATIONS	REMARKS
SEAT SLAT	4-20mmx45mm, SOLID WOOD 2-20mmx70mm, SOLID WOOD
FRONT LEG	45mmx45mm, SOLID WOOD
BACK LEG	45mmx70mm, SOLID WOOD
BACK REST	1-20mmx100mm, SOLID WOOD 1-20mmx50mm, SOLID WOOD
WRITING BOARD	20mm THK. SOLID WOOD OR 19mm(MIN.) THK. MARINE PLYWOOD WITH EDGING 6mm (MIN.)
BOOK SHELF	3-20x45mm SOLID WOOD
FINISHES	WOOD - SMOOTH FINISH WITH AT LEAST 3 COATS VARNISH, MAPLE FINISH

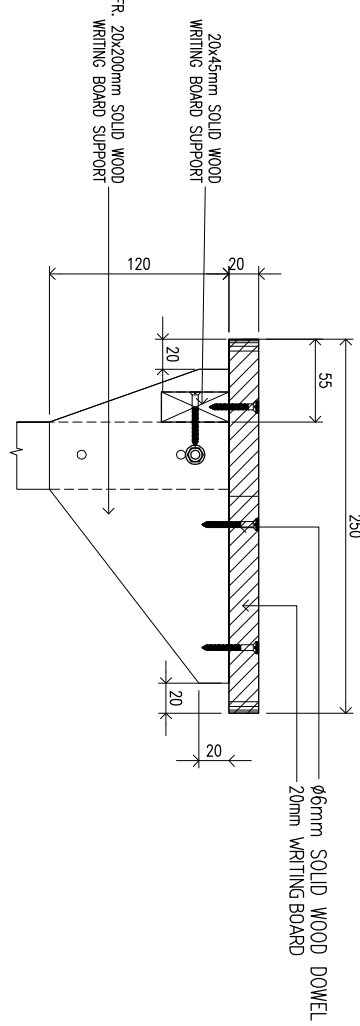
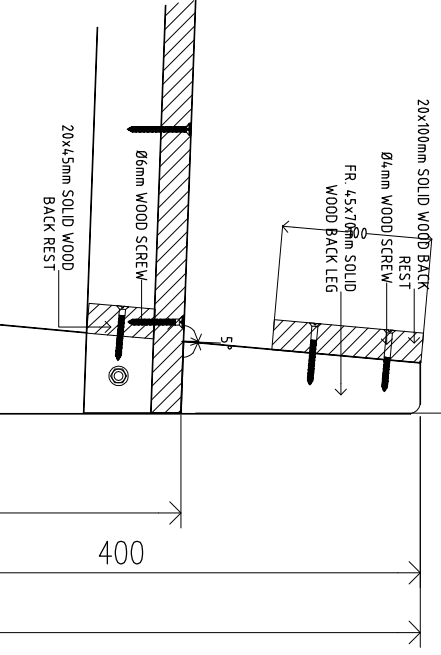
ALL THICKNESS OF WOOD EXCEPT FOR MARINE PLYWOOD SHALL BE SUBJECT TO A TOLERANCE OF MINUS 2mm.

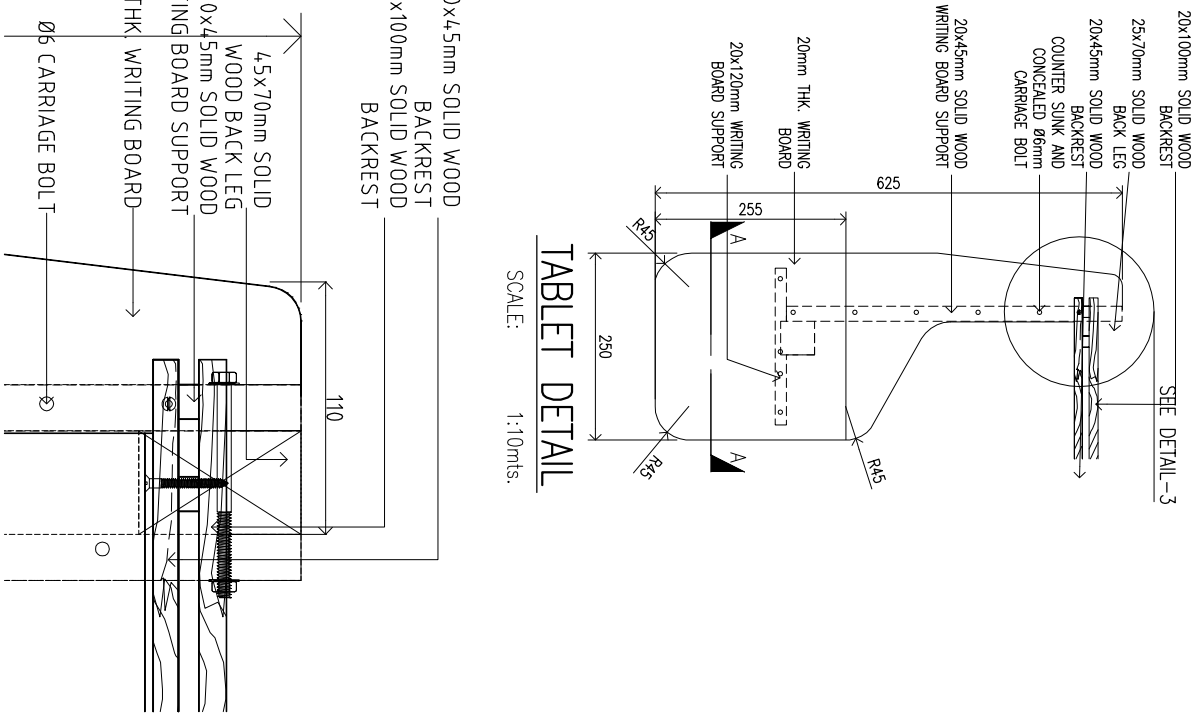
NOTE:  
ALL SOLID WOOD MUST BE TREATED KILN DRIED OR  
SUNDRIED (TANGUILE, GEMELINA, RED LAUAN)



**DETAIL 1**  
 SCALE: 1:20mts.

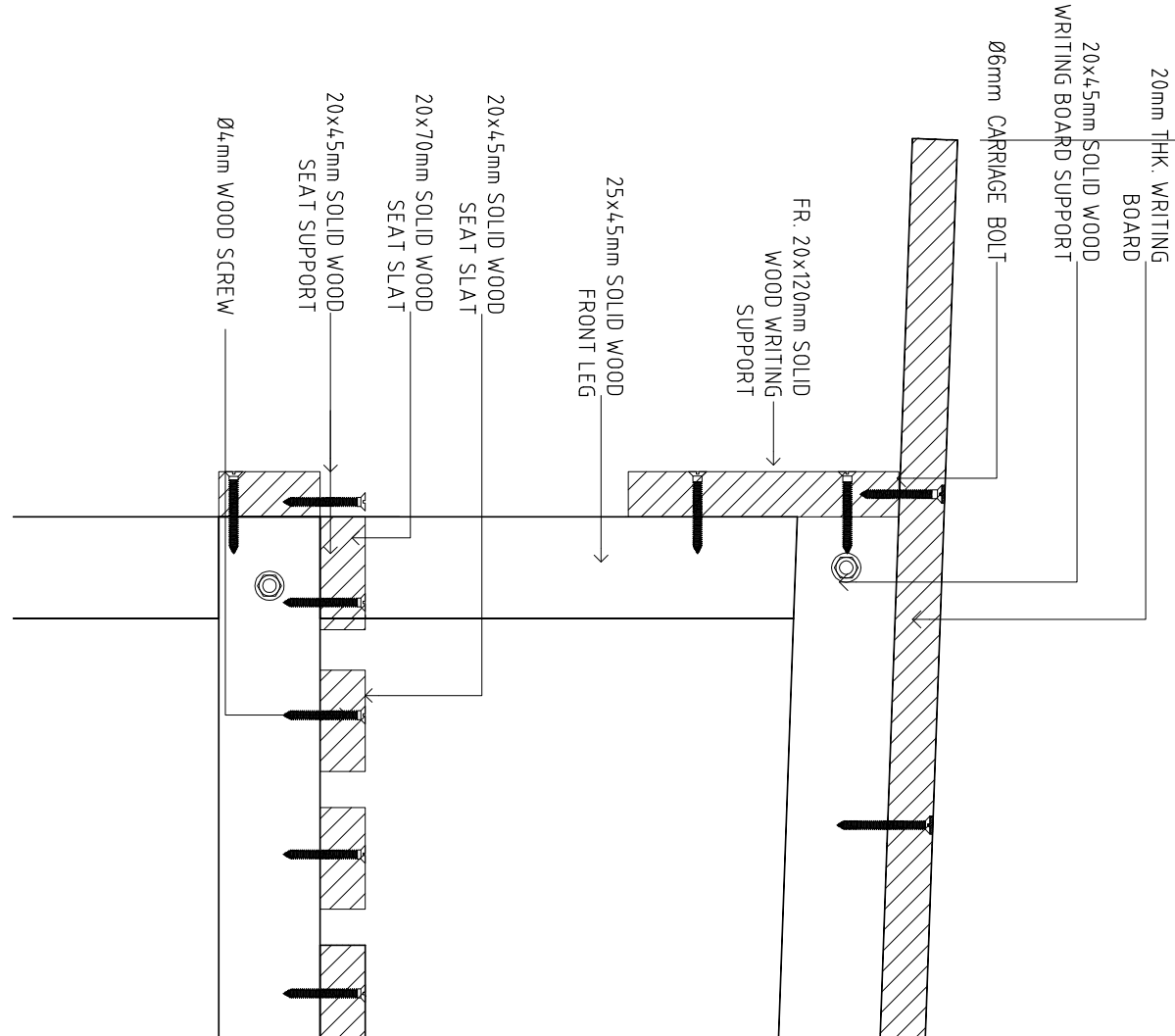
**SECTION A-A**  
 SCALE: 1:2.5mts  
 SCALE: 1:5M





**TABLET DETAIL**

SCALE: 1:1.0mts.



**DETAIL 2**

SCALE: 1:2.5mts

**DETAIL 3**

SCALE: 1:5mts.